

# ALPA<sup>®</sup>

OF SWITZERLAND

TECHNICAL INFO | 10.2012  
TECHNISCHE INFORMATIONEN | 10.2012

# LENS OVERVIEW | OBJEKTIVÜBERBLICK

Manufacturer Hersteller	Lens Objektiv	Effective focal length, in mm <sup>1</sup> Effektive Brennweite, in mm <sup>1</sup>	ALPA Image circle at f 11, in ca. mm ALPA Bildkreis bei f 11, in ca. mm	ALPA Image circle at f 22, in ca. mm (film only) ALPA Bildkreis bei f 22, in ca. mm (nur Film)	Center filter Center-Filter	Exposure correction with center filter, in EV Belichtungs-Korrektur mit Center-Filter, in LW	Filter size   Center filter size, in mm Filter-Grösse   Centerfilter-Grösse in mm	Weight of the lens, in g ("Long Barrel") Gewicht des Objektivs, in g ("Long Barrel")	Weight of the lens, in g ("Short Barrel 17") Gewicht des Objektivs, in g ("Short Barrel 17")	Weight of the lens, in g ("Short Barrel 34") Gewicht des Objektivs, in g ("Short Barrel 34")	Shortest distance, in m Kürzeste Distanz, in m	Standard shutter (others on request) Standardverschluss (andere auf Anfrage)	ALPA Lens Corrector ALPA Lens Corrector	Schneider Digital Center Filter Schneider Digital Center Filter
----------------------------	------------------	--	--	---	--------------------------------	---	--	---	---	---	---	---	--	--

## ALPA LENSES | ALPA-OBJEKTIVE

Rodenstock	ALPA HR Alpagon 5.6/23 mm	23.82	70	-	E72	2.5	72   95	751	-	-	0.25	Copal 0	x	
Schneider	ALPA Apo-Helvetar 5.6/28 mm XL	29.18	90	95	IVd	1.5	spec.	651	-	-	0.57	Copal 0	x	x
Rodenstock	ALPA HR Alpagon 4.0/32 mm	33.09	90	95	E86	1.5	86   105	989	959	-	0.40	Copal 0	x	
Rodenstock	ALPA AAA Apo-Alpar 4.5/35 mm	36.07	105	120	E67	2.5	67   86	433	-	-	0.40	Copal 0	x	
Schneider	ALPA Apo-Switar 5.6/36 mm	36.42	90	95	Ila	2.0	72   82	342	-	-	0.30	Copal 0	x	x
Rodenstock	ALPA HR Alpagon 4.0/40 mm	41.85	90	95	E67	2.5	67   86	755	695	-	0.50	Copal 0	x	
Schneider	ALPA Apo-Helvetar 5.6/43 mm XL	44.65	115	125	IIj <sup>2</sup>	2.0	67   72	378	-	-	0.50	Copal 0	x	x
Rodenstock	ALPA AAA Apo-Alpar 4.5/45 mm	46.00	115	125	E67	2.5	67   86	526	-	-	0.60	Copal 0	x	
Schneider	ALPA Apo-Helvetar 5.6/48 mm	47.55	115	125	IIj <sup>2</sup>	1.5	67   72	398	-	-	0.50	Copal 0	x	x
Rodenstock	ALPA HR Alpagon 4.0/50 mm	51.68	90	95	E67	2.0	67   86	758	-	697	0.70	Copal 0	x	
Rodenstock	ALPA AAA Apo-Alpar 4.5/55 mm	57.00	115	165	E67	2.5	67   86	564	-	-	0.90	Copal 0	x	
Schneider	ALPA Apo-Helvetar 5.6/60 mm	60.03	115	125	IIj <sup>2</sup>	2.0	67   72	497	467	-	0.75	Copal 0	x	x
Rodenstock	ALPA HR Alpagon 5.6/70 mm	70.00	100	105	-	-	58	532	502	-	0.80	Copal 0	x	
Schneider	ALPA Apo-Helvetar 5.6/75 mm L	74.88	90	100	-	-	67	339	309	-	1.10	Copal 0	x	
Rodenstock	ALPA HR Alpagon 5.6/90 mm	90.00	120	120	-	-	72	-	-	n.a.	0.60	Copal 0	x	
Schneider	ALPA Apo-Helvetar 5.6/120 mm asph.	123.6	110	110	-	-	67	-	-	515	1.20	Copal 0	x	

## LENSES [BUILT TO ORDER] | OBJEKTIVE [AUF BESTELLUNG]

Rodenstock	HR Digaron-S 4.5/28 mm	28.77	70	-	E72	2.5	72	856	-	-	0.30	Copal 0	x	
Rodenstock	HR Digaron-S 4.0/35 mm	35.15	70	-	-	-	67	643	-	-	0.35	Copal 0	x	
Schneider	Super-Angulon 5.6/38 mm XL	39.42	-	140	Ila	2.0	72   82	430	-	-	0.35	Copal 0	x	x
Schneider	Super-Angulon 5.6/47 mm XL	47.96	-	165	IIIc	2.0	67   72	426	-	-	0.50	Copal 0	x	x
Schneider	Super-Angulon 5.6/58 mm XL	58.15	-	165	IIIb	1.5	67   72	484	-	-	0.80	Copal 0	x	x
Rodenstock	HR Digaron-S 4.0/60 mm	60.55	70	-	-	-	49	473	-	-	0.70	Copal 0	x	
Schneider	Apo-Digitar 4.0/80 mm L	80.34	90	-	-	-	40.5	-	-	295	1.20	Copal 0		
Schneider	Super-Symmar Aspheric 4.5/80 mm XL	80.37	-	210	IIIb	1.5	67   72	-	-	453	1.20	Copal 0		x
Schneider	Apo-Digitar 4.5/90 mm N	90.69	90	95	-	-	40.5	-	-	348	1.50	Copal 0		
Rodenstock	HR Digaron-W 5.6/90 mm	89.78	115	125	-	-	67	-	-	597	0.60	Copal 0		
Schneider	Apo-Digitar 5.6/100 mm N	100.95	100	105	-	-	40.5	-	-	387	1.80	Copal 0		
Rodenstock	HR Digaron-S 4.0/100 mm	100.08	70	-	-	-	58	635	-	-	1.80	Copal 0		
Schneider	Apo-Digitar 5.6/120 mm N	124.89	110	110	-	-	40.5	-	-	591	1.20	Copal 0		
Schneider	Apo-Digitar 5.6/120 mm M	120.15	110	110	-	-	40.5	-	-	597	1.10	Copal 0		
Schneider	Apo-Digitar 5.6/150 mm N	151.30	110	110	-	-	40.5	-	-	697	1.65	Copal 0		
Schneider	Apo-Digitar 5.6/180 mm T	180.13	120	120	-	-	55	-	-	839	2.20	Copal 0		
Rodenstock	HR Digaron-S 5.6/180 mm	179.55	80	95	-	-	67	969	-	-	5.00	Copal 0		
Schneider	Apo-Digitar 6.8/210 mm T	210.14	120	120	-	-	72	-	-	1000	2.90	Copal 0		
Schneider	Apo-Tele-Xenar 5.6/250 mm	250.29	-	190	-	-	82	-	-	1236	3.90	Copal 1		

<sup>1</sup> According to technical drawings. Hereof the real focal length can vary by  $\pm 1\%$  [DIN] | Gemäss Angebotszeichnungen. Die reale Brennweite kann hiervon um  $\pm 1\%$  Abweichen [DIN-Norm]

<sup>2</sup> Combi filter for Helvetar 43, 48 and 60. Use the supplied distancer ring for Helvetar 43 and 60 | Kombifilter für Helvetar 43, 48 und 60. Für Helvetar 43 und 60 den mitgelieferten Distanzring verwenden.

# LENS MOVEMENTS: RISE, FALL, SHIFT

Digital Formats – Theoretical Movements <sup>1</sup>

Film Formats – Theoretical Movements <sup>2</sup>

	Digital 24×36 [rise   fall]	Digital 24×36 [shift left   right]	Digital 37×37 [rise   fall]	Digital 37×37 [shift left   right]	Digital 33×44 [rise   fall]	Digital 33×44 [shift left   right]	Digital 36×48 [rise   fall]	Digital 36×48 [shift left   right]	Digital 36×56 [rise   fall]	Digital 36×56 [shift left   right]	Digital 40×54 [rise   fall]	Digital 40×54 [shift left   right]	Film 6×4.5 [rise   fall]	Film 6×4.5 [shift left   right]	Film 6×6 [rise   fall]	Film 6×6 [shift left   right]	Film 6×7 [rise   fall]	Film 6×7 [shift left   right]	Film 6×8 [rise   fall]	Film 6×8 [shift left   right]	Film 6×9 [rise   fall]	Film 6×9 [shift left   right]
<i>short side, in mm</i>	24	24	37	37	33	33	36	36	36	36	40	40	42	42	56	56	56	56	56	56	56	56
<i>long side, in mm</i>	36	36	37	37	44	44	48	48	56	56	54	54	56	56	56	56	72	72	76	76	83	83
<i>diagonal, in mm</i>	43	43	52	52	55	55	60	60	67	67	67	67	70	70	79	79	91	91	94	94	100	100

## ALPA LENSES

	↔	↕	↔	↕	↔	↕	↔	↕	↔	↕	↔	↕	↔	↕	↔	↕	↔	↕	↔	↕	↔	↕
Rodenstock ALPA HR Alpagon 5.6/23 mm	18	15	11	11	11	9	7	6	3	2	2	2	0	0	-	-	-	-	-	-	-	-
Schneider ALPA Apo-Helvetar 5.6/28 mm XL	29	25	23	23	23	20	23	20	20	16	16	13	17	15	10	10	3	2	1	0	-	-
Rodenstock ALPA HR Alpagon 4.0/32 mm	29	25	23	23	23	20	23	20	20	16	16	13	17	15	10	10	3	2	1	0	-	-
Rodenstock ALPA AAA Apo-Alpar 4.5/35 mm	37	33	31	31	31	28	37	33	35	29	25	22	32	28	25	25	20	17	18	15	15	12
Schneider ALPA Apo-Switar 5.6/36 mm	29	25	23	23	23	20	23	20	20	16	16	13	17	15	10	10	3	2	1	0	-	-
Rodenstock ALPA HR Alpagon 4.0/40 mm	29	25	23	23	23	20	23	20	20	16	16	13	17	15	10	10	3	2	1	0	-	-
Schneider ALPA Apo-Helvetar 5.6/43 mm XL	43	38	36	36	37	33	40	36	38	32	31	27	35	31	28	28	23	20	22	18	19	14
Rodenstock ALPA AAA Apo-Alpar 4.5/45 mm	43	38	36	36	37	33	40	36	38	32	31	27	35	31	28	28	23	20	22	18	19	14
Schneider ALPA Apo-Helvetar 5.6/48 mm	43	38	36	36	37	33	40	36	38	32	31	27	35	31	28	28	23	20	22	18	19	14
Rodenstock ALPA HR Alpagon 4.0/50 mm	29	25	23	23	23	20	23	20	20	16	16	13	17	15	10	10	3	2	1	0	-	-
Rodenstock ALPA AAA Apo-Alpar 4.5/55 mm	43	38	36	36	37	33	61	57	60	53	31	27	57	52	50	50	46	42	45	40	43	36
Schneider ALPA Apo-Helvetar 5.6/60 mm	43	38	36	36	37	33	40	36	38	32	31	27	35	31	28	28	23	20	22	18	19	14
Rodenstock ALPA HR Alpagon 5.6/70 mm	35	31	28	28	28	25	29	25	26	21	22	19	23	20	16	16	10	8	8	6	4	3
Schneider ALPA Apo-Helvetar 5.6/75 mm L	29	25	23	23	23	20	26	23	23	19	16	13	20	17	13	13	7	5	4	3	-	-
Rodenstock ALPA HR Alpagon 5.6/90 mm	45	41	39	39	39	36	37	33	35	29	34	30	32	28	25	25	20	17	18	15	15	12
Schneider ALPA Apo-Helvetar 5.6/120 mm asph.	40	36	33	33	34	30	31	28	29	24	28	24	26	23	19	19	14	11	12	9	8	6

## LENSES [BUILT TO ORDER]

	↔	↕	↔	↕	↔	↕	↔	↕	↔	↕	↔	↕	↔	↕	↔	↕	↔	↕	↔	↕	↔	↕
Rodenstock HR Digaron-S 4.5/28 mm	18	15	11	11	11	9	7	6	3	2	2	2	0	0	-	-	-	-	-	-	-	-
Rodenstock HR Digaron-S 4.0/35 mm	18	15	11	11	11	9	7	6	3	2	2	2	0	0	-	-	-	-	-	-	-	-
Schneider Super-Angulon 5.6/38 mm XL	56	51	49	49	50	46	48	44	46	40	45	40	43	39	36	36	32	28	31	26	28	23
Schneider Super-Angulon 5.6/47 mm XL	69	64	62	62	63	59	61	57	60	53	58	53	57	52	50	50	46	42	45	40	43	36
Schneider Super-Angulon 5.6/58 mm XL	69	64	62	62	63	59	61	57	60	53	58	53	57	52	50	50	46	42	45	40	43	36
Rodenstock HR Digaron-S 4.0/60 mm	18	15	11	11	11	9	7	6	3	2	2	2	0	0	-	-	-	-	-	-	-	-
Schneider Apo-Digitar 4.0/80 mm L	29	25	23	23	23	20	20	17	17	13	16	13	14	12	7	7	-	-	-	-	-	-
Schneider Super-Symmar Aspheric 4.5/80 mm XL	91	86	85	85	86	82	84	79	83	75	81	76	80	75	73	73	71	65	70	63	68	60
Schneider Apo-Digitar 4.5/90 mm N	29	25	23	23	23	20	23	20	20	16	16	13	17	15	10	10	3	2	1	0	-	-
Rodenstock HR Digaron-W 5.6/ 90 mm	43	38	36	36	37	33	40	36	38	32	31	27	35	31	28	28	23	20	22	18	19	14
Schneider Apo-Digitar 5.6/100 mm N	35	31	28	28	28	25	29	25	26	21	22	19	23	20	16	16	10	8	8	6	4	3
Rodenstock HR Digaron-S 4.0/100 mm	18	15	11	11	11	9	7	6	3	2	2	2	0	0	-	-	-	-	-	-	-	-
Schneider Apo-Digitar 5.6/120 mm N	40	36	33	33	34	30	31	28	29	24	28	24	26	23	19	19	14	11	12	9	8	6
Schneider Apo-Digitar 5.6/120 mm M	40	36	33	33	34	30	31	28	29	24	28	24	26	23	19	19	14	11	12	9	8	6
Schneider Apo-Digitar 5.6/150 mm N	40	36	33	33	34	30	31	28	29	24	28	24	26	23	19	19	14	11	12	9	8	6
Schneider Apo-Digitar 5.6/180 mm T	45	41	39	39	39	36	37	33	35	29	34	30	32	28	25	25	20	17	18	15	15	12
Rodenstock HR Digaron-S 5.6/180 mm	24	20	17	17	17	14	23	20	20	16	10	8	17	15	10	10	3	2	1	0	-	-
Schneider Apo-Digitar 6.8/210 mm T	45	41	39	39	39	36	37	33	35	29	34	30	32	28	25	25	20	17	18	15	15	12
Schneider Apo-Tele-Xenar 5.6/250 mm	81	76	75	75	76	72	74	69	73	65	71	66	70	65	63	63	60	55	59	53	57	49

<sup>1</sup> Theoretical movements are calculated via the image circle at f11. Where not available the value for f22 (analog/film use) is applied. In this case the recommendation of these lenses for digital use is restricted. The effective usable image circle can be restricted by the the body geometry or maximum shift capacity of the respective camera.

<sup>2</sup> Theoretical movements are calculated via the image circle at f22. Where not available the value for f11 (digital use) is applied. The effective usable image circle can be restricted by the body geometry or the maximum shift capacity of the respective camera.

# COMPARABLE FOCAL LENGTH | VERGLEICHSBRENNWEITEN

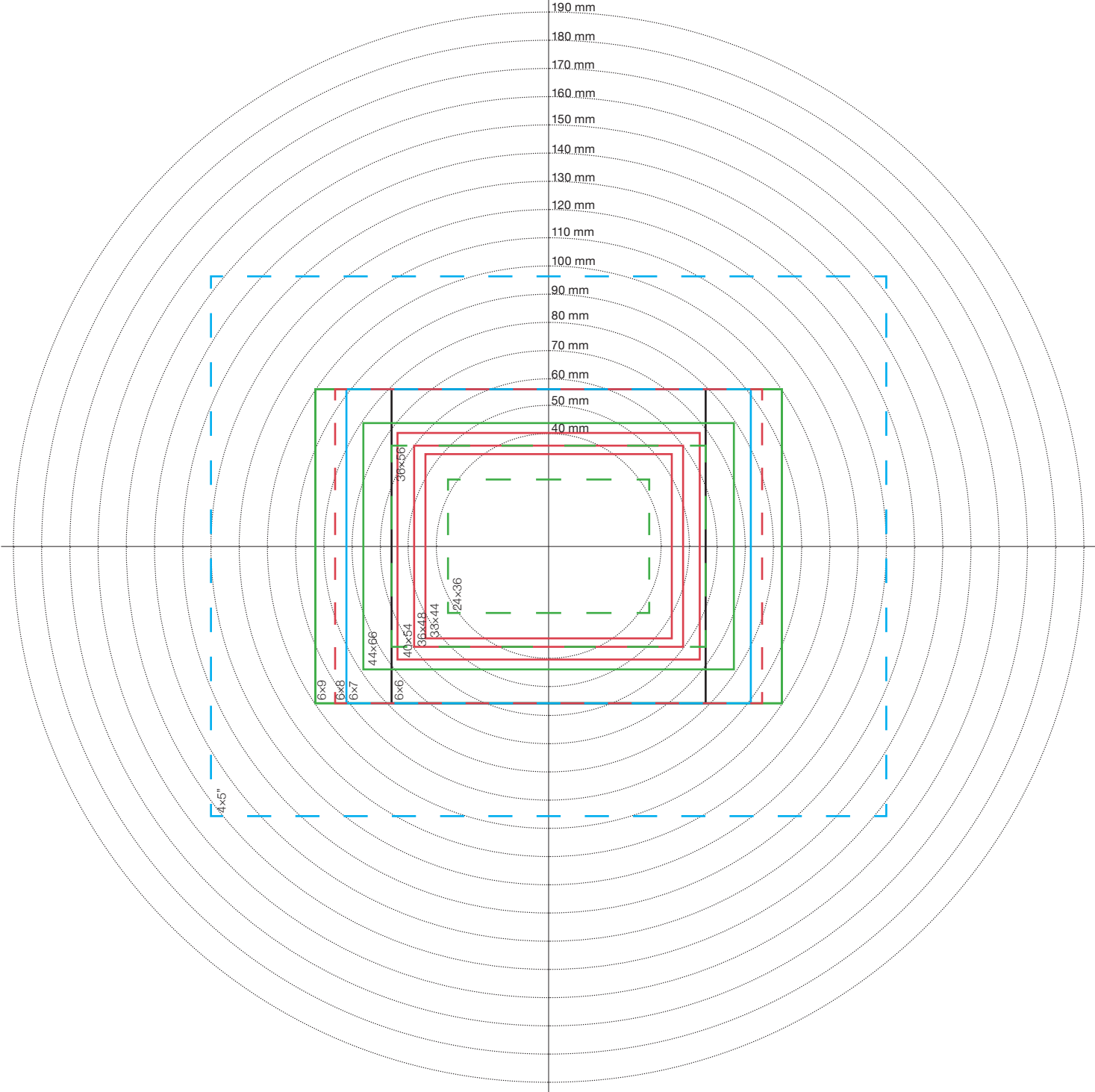
Format	Size [rounded]	Diagonal in mm	Format factor long   short	23	28	32	35	36	38	40	43	45	48	55	58	60	70	75	80	90	95	100	120	150	180	210	250
				23	28	32	35	36	38	40	43	45	48	55	58	60	70	75	80	90	95	100	120	150	180	210	250
24x36	24x36	43.3	1.50 – 3:2	23	28	32	35	36	38	40	43	45	48	55	58	60	70	75	80	90	95	100	120	150	180	210	250
37x37	37x37	52.2	1.00 – 1:1	19	23	27	29	30	32	33	36	37	40	46	48	50	58	62	66	75	79	83	99	124	149	174	207
33x44	33x44	55.0	1.33 – 4:3	18	22	25	28	28	30	31	34	35	38	43	46	47	55	59	63	71	75	79	94	118	142	165	197
36x48	36x48	60.0	1.33 – 4:3	17	20	23	25	26	27	29	31	32	35	40	42	43	50	54	58	65	69	72	87	108	130	151	180
37x49	37x49	61.3	1.33 – 4:3	16	20	23	25	25	27	28	30	32	34	39	41	42	49	53	57	64	67	71	85	106	127	148	177
36x56	36x56	66.6	1.56 – 3:2	15	18	21	23	23	25	26	28	29	31	36	38	39	45	49	52	58	62	65	78	97	117	136	162
40x54	40x54	67.4	1.33 – 4:3	15	18	21	22	23	24	26	28	29	31	35	37	39	45	48	51	58	61	64	77	96	116	135	161
6x4.5	42x56	70.0	1.33 – 4:3	14	17	22	22	23	25	28	29	30	31	34	36	37	43	45	49	56	59	62	74	93	111	130	155
44x66	44x66	79.3	1.50 – 4:3	13	15	17	19	20	21	22	23	25	26	30	32	33	38	41	44	49	52	55	65	82	98	115	136
6x6	56x56	79.2	1.00 – 1:1	13	15	17	19	20	21	22	23	25	26	30	32	33	38	41	44	49	52	55	66	82	98	115	137
6x7	56x72	91.2	1.29 – 5:4	11	13	15	17	17	18	19	20	21	23	26	28	28	33	36	38	43	45	47	57	71	85	100	119
6x8	56x76	94.4	1.36 – 4:3	11	13	15	16	16	17	18	20	21	22	25	27	27	32	34	37	41	44	46	55	69	82	96	115
6x9	56x84	101.0	1.50 – 3:2	10	12	14	15	15	16	17	18	19	21	24	25	26	30	32	34	39	41	43	51	64	77	90	107

# FORMATS, RESOLUTION AND MEGAPIXELS | FORMATE, AUFLÖSUNG UND MEGAPIXELS

Manufacturer	Type	Sensor	Pixel size in micron	MP <sup>2</sup> class	24x36 mm		30x30 mm		37x37 mm		33x44 mm		36x48 mm			40x54 mm <sup>1</sup>											
					Pixel count		MP <sup>2</sup>		Pixel count		MP <sup>2</sup>		Pixel count		MP <sup>2</sup>			Pixel count									
					long side	short side	size	long side	short side	size	long side	short side	size	long side	short side	size	long side	short side	size	long side	short side	size					
Hasselblad	CFV II	37x37	9.0	16	4'000	2'667	11	3'333	3'333	11	4'080 <sup>3</sup>	4'080 <sup>3</sup>	17	-	-	-	-	-	-	-	-	-	-	-	-	-	
Hasselblad	H3D-25	37x49	9.0	22	4'000	2'667	11	3'333	3'333	11	4'111	4'111	17	4'889	3'667	18	5'440 <sup>3</sup>	4'080 <sup>3</sup>	22	-	-	-	-	-	-	-	-
Hasselblad	CFV-39	37x49	6.8	39	5'294	3'529	19	4'412	4'412	19	5'441	5'441	30	6'471	4'853	31	7'212 <sup>3</sup>	5'412 <sup>3</sup>	39	-	-	-	-	-	-	-	-
Hasselblad	H3D-39	37x49	6.8	39	5'294	3'529	19	4'412	4'412	19	5'441	5'441	30	6'471	4'853	31	7'212 <sup>3</sup>	5'412 <sup>3</sup>	39	-	-	-	-	-	-	-	-
Hasselblad	CFV-50	37x49	6.0	50	6'000	4'000	24	5'000	5'000	25	6'167	6'167	38	7'333	5'500	40	8'176 <sup>3</sup>	6'132 <sup>3</sup>	50	-	-	-	-	-	-	-	-
Hasselblad	H4D-50	37x49	6.0	50	6'000	4'000	24	5'000	5'000	25	6'167	6'167	38	7'333	5'500	40	8'176 <sup>3</sup>	6'132 <sup>3</sup>	50	-	-	-	-	-	-	-	-
Hasselblad	H4D-60	40x54	6.0	60	6'000	4'000	24	5'000	5'000	25	6'167	6'167	38	7'333	5'500	40	8'000	6'000	48	8'956 <sup>3</sup>	6'708 <sup>3</sup>	60	-	-	-	-	-
Leaf	Aptus 5	36x48	9.0	22	4'000	2'667	11	3'333	3'333	11	4'111	4'111	17	4'889	3'667	18	5'334 <sup>3</sup>	4'008 <sup>3</sup>	21	-	-	-	-	-	-	-	-
Leaf	Aptus 6	33x44	7.2	28	5'000	3'333	17	4'167	4'167	17	5'139	5'139	26	6'096 <sup>3</sup>	4'558 <sup>3</sup>	28	-	-	-	-	-	-	-	-	-	-	-
Leaf	Aptus 7	36x48	7.2	33	5'000	3'333	17	4'167	4'167	17	5'139	5'139	26	6'111	4'583	28	6'666 <sup>3</sup>	4'992 <sup>3</sup>	33	-	-	-	-	-	-	-	-
Leaf	Aptus 8	33x44	6.0	40	6'000	4'000	24	5'000	5'000	25	6'167	6'167	38	7'312 <sup>3</sup>	5'474 <sup>3</sup>	40	-	-	-	-	-	-	-	-	-	-	-
Leaf	Credo 40	33x44	6.0	40	6'000	4'000	24	5'000	5'000	25	6'167	6'167	38	7'320 <sup>3</sup>	5'484 <sup>3</sup>	40	-	-	-	-	-	-	-	-	-	-	-
Leaf	Aptus-II 10	36x56	6.0	56	6'000	4'000	24	5'000	5'000	25	6'167	6'167	38	7'333	5'500	40	8'000	6'000	48	9'288 <sup>3</sup>	6'000 <sup>3</sup>	56	-	-	-	-	-
Leaf	Credo 60	40x54	6.0	60	6'000	4'000	24	5'000	5'000	25	6'167	6'167	38	7'333	5'500	40	8'000	6'000	48	8'984 <sup>3</sup>	6'732 <sup>3</sup>	60	-	-	-	-	-
Leaf	Aptus-II 12	40x54	5.2	80	6'923	4'615	32	5'769	5'769	33	7'115	7'115	51	8'462	6'346	54	9'231	6'923	64	10'320 <sup>3</sup>	7'752 <sup>3</sup>	80	-	-	-	-	-
Leaf	Credo 80	40x54	5.2	80	6'923	4'615	32	5'769	5'769	33	7'115	7'115	51	8'462	6'346	54	9'231	6'923	64	10'320 <sup>3</sup>	7'752 <sup>3</sup>	80	-	-	-	-	-
Phase One	P25+	37x49	9.0	22	4'000	2'667	11	3'333	3'333	11	4'111	4'111	17	4'889	3'667	18	5'436 <sup>3</sup>	4'080 <sup>3</sup>	22	-	-	-	-	-	-	-	-
Phase One	P45+	37x49	6.8	39	5'294	3'529	19	4'412	4'412	19	5'441	5'441	30	6'471	4'853	31	7'216 <sup>3</sup>	5'412 <sup>3</sup>	39	-	-	-	-	-	-	-	-
Phase One	P40+	33x44	6.0	40	6'000	4'000	24	5'000	5'000	25	6'167	6'167	38	7'320 <sup>3</sup>	5'484 <sup>3</sup>	40	-	-	-	-	-	-	-	-	-	-	-
Phase One	IQ140	33x44	6.0	40	6'000	4'000	24	5'000	5'000	25	6'167	6'167	38	7'320 <sup>3</sup>	5'484 <sup>3</sup>	40	-	-	-	-	-	-	-	-	-	-	-
Phase One	P65+	40x54	6.0	60	6'000	4'000	24	5'000	5'000	25	6'167	6'167	38	7'333	5'500	40	8'000	6'000	48	8'984 <sup>3</sup>	6'732 <sup>3</sup>	60	-	-	-	-	-
Phase One	IQ160	40x54	6.0	60	6'000	4'000	24	5'000	5'000	25	6'167	6'167	38	7'333	5'500	40	8'000	6'000	48	8'984 <sup>3</sup>	6'732 <sup>3</sup>	60	-	-	-	-	-
Phase One	IQ180	40x54	5.2	80	6'923	4'615	32	5'769	5'769	33	7'115	7'115	51	8'462	6'346	54	9'231	6'923	64	10'328 <sup>3</sup>	7'760 <sup>3</sup>	80	-	-	-	-	-

<sup>1</sup> Aptus-II 10 = 36x56 mm  
<sup>2</sup> Megapixels, rounded  
<sup>3</sup> Pixel count in bold = effective pixel of the respective digital back

# IMAGE CIRCLES AND FORMATS | BILDKREISE UND FORMATE



ALPA.CH – ONLINE SINCE 1996

ALPA Capaul & Weber Ltd.  
Neptunstrasse 96  
POB 1858  
8032 Zürich | Switzerland

Phone: +41 44 383 92 22 Web: [www.alpa.ch](http://www.alpa.ch)  
Fax: +41 44 382 01 80 Mail: [alpa@alpa.ch](mailto:alpa@alpa.ch)

All content © ALPA Capaul & Weber Ltd.  
Release 10.2012